

865gm3-v manual



File Name: 865gm3-v manual.pdf

Size: 2102 KB

Type: PDF, ePub, eBook

Category: Book

Uploaded: 14 May 2019, 15:13 PM

Rating: 4.6/5 from 563 votes.

Download Now!

Please check the box below to proceed.



I'm not a robot



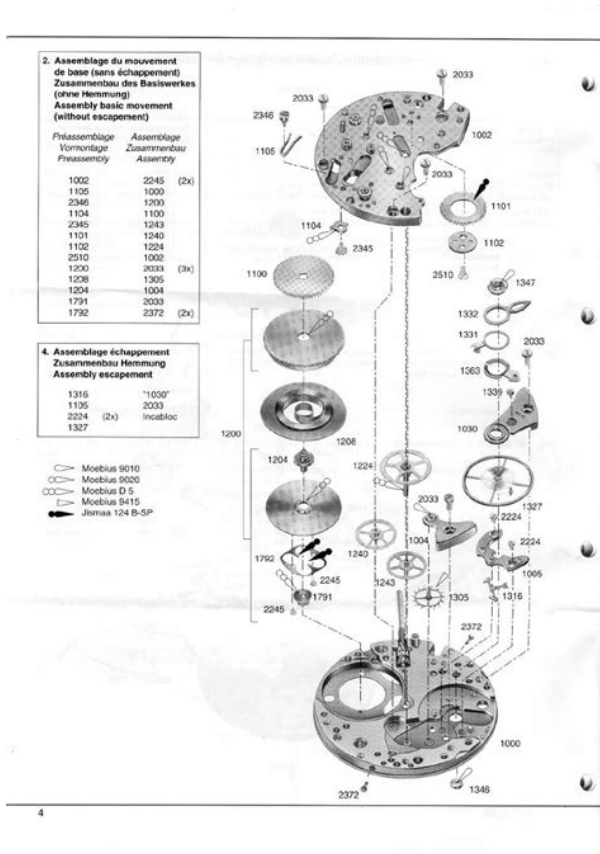
reCAPTCHA
Privacy - Terms

Book Descriptions:

865gm3-v manual

Please email us if you're running the latest version of your browser and you still see this message. The actual Open Box product may differ in packaging and included accessories, but has been tested to ensure basic functionality. They replied with revision 5.32B Bios which does fix the problem. Since it worked and under load created almost no heat at all, it remains that way today, with the 805 awaiting another mbd. If you're riding the fence get the 915 as opposed to the 805, this board will take it with the latest BIOS but the temp sensor will not be accurate. Given the inability of the 915 to pump out any appreciable heat, an accurate sensor isn't needed for overclocking. Runs smoothly in general. On board Video a little flaky at times. After calling the company they send the fix fast and I'm satisfied. There are 2 transistors, or may be capacitors or whatever they are, are too close to the heat sink and on the edge of the board. Use caution installing the HS or you'll bend them out of commission. Instructions suck unless you know what to do. [Click here for more details.](#) Secure shopping made faster. Check out with PayPal. Any exceptions to the condition of the item outside the manufacturer's information should be provided in the listing, up to and including warranty details. Any accessories MAY OR MAY NOT be included. Newegg will NOT send you any missing accessories, even if it is required to use all of the item's functions. Open Box items usually do not come with manufacturer or vendor warranty or technical support. However, warranty support may be available if an item was never registered by a previous owner. Please contact the manufacturer to check. Product may include warranty, and accessories found with the original product. Product may or may not be in the original packaging. Returned items with minor packaging defects fall under this category. Product does not come with warranty unless stated otherwise in product description. <http://classicalgardenornaments.com/uplds/employee-induction-manual-template.xml>

- **msi 865gm3-v manual, 865gm3-v manual.**

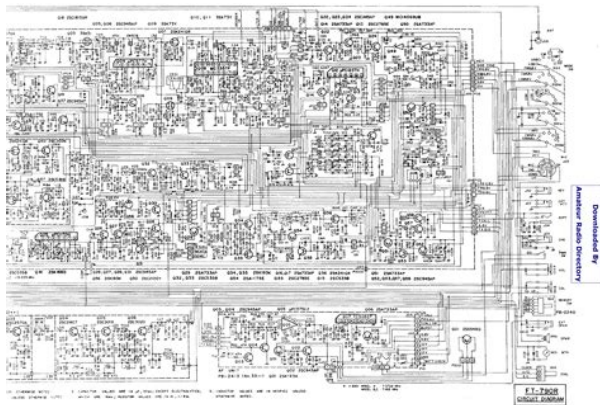


Product does not come with warranty unless stated otherwise in product description. Product does not come with warranty unless stated otherwise in product description. Functionality issues beyond signs of use should be disclosed in product description. Some manufacturers place restrictions on how details of their products may be communicated. Some manufacturers place restrictions on how details of their products may be communicated. Some manufacturers place restrictions on how details of their products may be communicated. We detected nonstandard web traffic coming from your IP address. This type of traffic is usually generated by bot software and automated scripts. Please note that we allow only human access to our site, therefore we temporarily blocked this IP address. You must have JavaScript enabled in your browser to utilize the functionality of this website. With the huge range of computers and laptops out there, its hard to know which one best suits your needs. Get it Next Day when you choose Express Delivery at checkout. Get it Next Day when you choose Express Delivery at checkout. Assume that any photo is a library photo, not the actual item you will receive, unless expressly mentioned above. Item has been pulled from salvage machine so expect the item to be in a used condition with minor scuffs etc. Unless expressly mentioned in the description, there will be no other parts included with the item. This includes items such as drivers, cables, manuals, warranty cards etc. Hard drives, tape drives, caddies etc. Use single quotes for phrases. For more information on what data is contained in the cookies, please see our Privacy Policy page. By continuing, you agree to our use of cookies. If you dont have an account you can register now. Good or Stupid idea by Scott3 Click the button below to join them. <http://fanta-life.com/userfiles/employee-induction-manual.xml>

You can download the latest headlines and summaries from our stories directly. These limits are designed to provide reasonable protection against harmful interference when the equipment is operated in a commercial environment. This equipment generates, uses and can radiate radio frequency energy and, if not installed and used in accordance with the instruction manual, may cause harmful interference to radio communications. Operation of this equipment in a residential area is likely to cause harmful interference, in which case the user will be required to correct the interference at his own expense. Notice 1The changes or modifications not expressly approved by the party responsible for compliance could void the users authority to operate the equipment. Notice 2Shielded interface cables and A.C. power cord, if any, must be used in order to comply with the emission limits.Operation is subject to the following two conditions 1 this device may not cause harmful interference, and 2 this device must accept any interference received, including interference that may cause undesired operation G52M7095X2i Copyright NoticeThe material in this document is the intellectual property of MICROSTAR INTERNATIONAL. We take every care in the preparation of this document, but no guarantee is given as to the correctness of its contents. Our products are under continual improvement and we reserve the right to make changes without notice. TrademarksAll trademarks are the properties of their respective owners. AMD, Athlon AthlonXP, Thoroughbred and Duron are registered trademarks of AMD Corporation. Intel and Pentium are registered trademarks of Intel Corporation. Microsoft is a registered trademark of Microsoft Corporation. Netware is a registered trademark of Novell, Inc. Award is a registered trademark of Phoenix Technologies Ltd. AMI is a registered trademark of American Megatrends Inc. Kensington and MicroSaver are registered trademarks of the Kensington Technology Group.

PCMCIA and CardBus are registered trademarks of the Personal Computer Memory Card International Association. Always read the safety instructions carefully. 2. Keep this User Manual for future reference. 3. Keep this equipment away from humidity. 4. Lay this equipment on a reliable flat surface before setting it up. 5. The openings on the enclosure are for air convection hence protects the equipment from overheating. Do not place anything over the power cord. 8. Always Unplug the Power Cord before inserting any addon card or module. 9. All cautions and warnings on the equipment should be noted. 10. Never pour any liquid into the opening that could damage or cause electrical shock. 11. If any of the following situations arises, get the equipment checked by a service personnel The power cord or plug is damaged. Liquid has penetrated into the equipment. The equipment has been exposed to moisture. The equipment does not work well or you can not get it work according to User Manual. The equipment has dropped and damaged. The equipment has obvious sign of breakage. 12. Do not leave this equipment in an environment unconditioned, storage temperature above 60 C 140F, it may damage the equipment. Do CAUTION Danger of explosion if

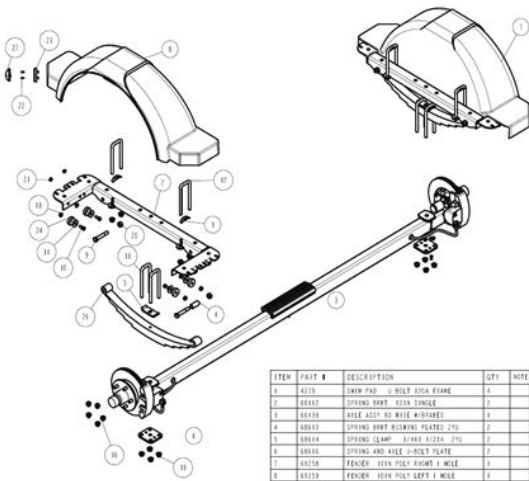
battery is incorrectly replaced. Replace only with the same or equivalent type recommended by the manufacturer. One CNR Communication Network Riser slot. Audio 1 | AC97 link controller integrated in VT8237R. Dimension 1 MicroATX Form Factor 243 mm x 189mm. Mounting 1 6 mounting holes. 3 Rear Panel The back panel provides the following connectors Parallel Port Mouse LAN Line In USB Ports Line Out Mic In Keyboard COM port VGA port USB Ports Hardware Setup This chapter tells you how to install the CPU, memory modules, and expansion cards, as well as how to setup the jumpers on the mainboard. It also provides the instructions on connecting the peripheral devices, such as the mouse, keyboard, etc.



<http://schlammatlas.de/en/node/20700>

While doing the installation, be careful in holding the components and follow the installation procedures. The mainboard uses a CPU socket called PGA478 for easy CPU installation. When you are installing the CPU, make sure the CPU has a heat sink and a cooling fan attached on the top to prevent overheating. Pull the lever sideways away from the socket. Make sure to raise the lever up to a 90degree angle. 3. Look for the gold arrow. The gold arrow should point towards the lever pivot. The CPU can only fit in the correct orientation. 4. If the CPU is correctly installed, the pins should be completely embedded i of 46 Download See Full Reader Embed Size px. Please try again. Please try your search again later. You can edit your question or post anyway. Buy with confidence! To calculate the overall star rating and percentage breakdown by star, we don't use a simple average. Instead, our system considers things like how recent a review is and if the reviewer bought the item on Amazon. It also analyses reviews to verify trustworthiness. It may not display this or other websites correctly. You should upgrade or use an alternative browser. By continuing to use this site, you are agreeing to our use of cookies. Learn More. Have a p4 2.4 with a 533 bus that id like to fit. Many thanks The only screen I can see for overclocking in there allows you to change the FSB, no voltages. If you use PC3200 RAM you may well be able to get some sort of overclock going, but it wont be as flexible as some other i865 based boards. Do you definitely need mATX. The MSI 865PE NEO2 range do allow for reasonable overclocking and they are available very cheaply, new, from the auction site. I would recommend something based on the i875 chipset from ASUS or Abit if you want to do serious clocking though. Yeah, due to the project im doing I need a matx so as have room in case for all wc bits. You wouldnt believe how much help that is as there are few 478 matx boards around that have the 865 chipset.

<https://www.efg-badoeynhausen.de/images/canon-eos-rebel-xsi-user-manual.pdf>



ITEM	PART #	DESCRIPTION	QTY	NOTE
1	4275	DOWN PAD - 2 BOLT BOSA FRAME	1	
2	66487	SPRING BOLT - BETA SINGLE	2	
3	66420	AXIS ASST. BY WIRE MOUNTED	1	
4	68620	SPRING BOLT MOUNTED PLATED ZIN	2	
5	68614	SPRING CLAMP - 3/16X 3/24 - ZIN	2	
6	68616	SPRING AND AXLE 2-ROST PLATE	2	
7	63256	FENCE - 10X 10X 10X 1/2 WIDE	1	
8	63258	FENCE - 10X 10X 10X 1/2 WIDE	1	
9	63257	AX - 10X 10 - 1/2 X 3/4 CS DR	1	
10	642240	AX 10X 10 - 1/2 X 3/4 CS DR	1	
11	63253	SLIP RIF X 2 5/16 X 1/2	1	
12	63252	SLIP RIF X 2 5/16 X 1/2	1	
13	675200	SLIDER W/5-2T X 3 MACHINE	2	
14	63251	WASHER 1.375 3/4 1/2	1	
15	63250	WASHER 1/2 1/2	1	
16	644229	MEX LOCKWIT W/1/2 1/2 1/2 1/2	1	
17	644228	MEX LOCK W/1/2 1/2 1/2 1/2	1	
18	644227	MEX LOCKWIT FLANGE 3/16-1/2 NUT	1	
19	644226	MEX LOCKWIT FLANGE 1/2-1/2 NUT	1	
20	644225	MEX LOCKWIT FLANGE 1/2-1/2	1	
21	63250	SPRINGER - 1/2X 1/2X 1/2	1	
22	63249	PLASTIC DRIVE BEZEL	1	
23	63248	LIGHT BEZEL - AMBER	2	
24	63247	SPRING STOP WASHER	1	
25	63246	CLAMP METAL 1/2 X 1/2 - 1/2X 1/2X 1/2	2	
26	642240	SPRING 1 LEAF W/30	2	
27	63245	WASHER YELLOW CLEARANCE 1/2X 1/2	2	

Cheers again and give yourself a pat on back from me. HP Officejet 4620 Windows Printer Driver Download This driver works both the HP Officejet 4620 Printer Download. How to install HP Officejet 4620 Driver Free HP Officejet 4620 e drivers for Windows 8. Found 6 files. Select driver to download. Download driver hp officejet 4620 windows 8 Learn about HP Officejet 4620 eAllinOne Printer compatibility on Windows 8. Download device drivers and software updates. HP Officejet 4620 drivers Please scroll down to find a latest utilities and drivers for your HP Officejet 4620. Be attentive to download software for your operating I am interested to purchase HP 4620 to be operated with Lap Top with Windows 8 download the printer software for win 8 download the software for HP 4620 Download the latest drivers for your HP Officejet 4620 eAllinOne Printer to keep your HP product Find solutions and collaborate with others on the HP Support I understand you're looking for drivers for your Officejet 4620 on a Windows 8 computer.Msi Intel Socket 478 865gm3 Ls Ms 7037 Drivers. MSI motherboard megafuge 1. 0 manual infineon TPM professional driver. Found 4 files. Select driver to download. Download Msi Intel Socket 478 865gm3 Ls Ms 7037 Driver Absolutely Free. Drivers For Free software scans your computer for missing and outdated drivers.It was designed to scan and locate the necessary drivers for your PC. Free Easy Driver Pro 8. 1 Keygen Download Download Easy Driver Pro 8. 1 Keygen for free! Easy Driver Pro 8. 1 Keygen Download Keygen Installer. Easy Driver Pro is a straightforward application designed to scan your computer hardware and tell you exactly which drivers are missing and need to be installed. Easy Driver Pro 8. 1. download hub Drivers Manager. With only few mouse clicks, Easy Driver Pro will scan, download and install the drivers that are needed for the best operation of your PC. Update your PC drivers now. Easy Driver Pro 8.

<http://gentaur-diagnostics.com/images/canon-eos-rebel-xsn-manual.pdf>

1 the program Immediately found all out of date Drivers, the download was fast and the Easy Driver Pro helps with lagging issues. Articles easy driver pro 8. 1. Best free cloud storage.Security setting should be changed in order to install drivers in Mac OS X 10. 8 1. You can download it at the Adobe Download drivers for Epson L Series L210. 4201. Epson L210 File information Printer Epson L210 drivers Setup application scanner drivers L210 Series, Laser. Jet 1012 Drivers Download Epson Stylus Photo R230 Download Drivers Printer Printer Driver EPSON L210 Series Driver Epson Stylus SX420W Driver Download Epson L210 Driver Download Epson Stylus SX440W The centre free download driver difference with its predecessor Epson L210 printer Epson L200. Free Download Driver Printer Epson L210. Free to download Epson L210 Series Printer from yourfreeware Source Title Printer Drivers all In One Hp, Canon, Epson, Xerox, Laser Jet, Desk Jet, Download the latest drivers for your EPSON L210 Series to keep your Use the links on this page to download the latest version of EPSON L210 Series drivers. Download Free download driver printer epson l210 series Epson L210 Driver. Epson Stylus L210 Printer driver and Epson L210 Mac Printer Driver Download i cant download a driver software for my epson L210 series. Telecharger driver usb to rs232 cable gratuit driver de USB TO RS232 Cabledownload from 4shared est heberge par le service gratuit de partage de fichiers 4shared.To find out more, including how to control cookies, see here. I am using my existing cpu, which has been tested and has proved to work fine. The problem comes when we get around to the ram. I bought PC2700 256Mb DDR, 333, CL2.5 from Crucial. Now I thought that would be fine. The pc starts up but gets just past the first XP loading screen and then restarts. So I thought to my self. Ill test the ram using a Dos boot disk and PC CHECK.Fair enough I thought. Maybe my PC CHECK is faulty, SO ill try and reinstall Windows XP Pro.

I boot from the CD it starts to load and crashes with this error.file \i386\ntkrnlmp.exe could not be loaded Ive looked it up and Microsoft say that its either BIOS set wrong or Faulty RAM. Well, with this BIOS there is nothing to set.Now my Ram is DDR2700.Or am i barking up the wrong tree. Any help would be amazing as ive had this poor guys PC for about 3 weeks now. Cheers Paula Start Free Trial Start Free Trial Experts with Gold status have received one of our highestlevel Expert Awards, which recognize experts for their valuable contributions.Then compare the part numbers it gives you with those you have. If they match, Id say the motherboard is faulty and the RAM is fine. Experts with Gold status have received one of our highestlevel Expert Awards, which recognize experts for their valuable contributions.Also do you see a fast blue flash on the monitor screen when the computer restarts. If so it may be showing a BSOD but auto restart wont keep it on screen.Experts with Gold status have received one of our highestlevel Expert Awards, which recognize experts for their valuable contributions.What specific CPU do you have installed. P4 which FSB Celeron CeleronD etc. Although your board supports several memory speeds, you SHOULD use the memory

that's matched to the CPU requirements. Higher speed memory MAY work it's supposed to be downward compatible, but I have seen many cases where this is not the case. It's always best to use the correct speed. The Intel spec sheet for your CPU will have a table that shows exactly what speed memory should be used with your CPU. However, from the symptoms you've described, your problem is almost certainly one of two issues: 1 a bad motherboard; or 2 a bad power supply. Either would cause the symptoms you've described. Have you tested preferably simply swapped out the power supply? Thanks for that tip sparkmaster. I did not know you could do that. And the PSU is one of my spares so that could be faulty yeah.

wbbray.com/wp-content/plugins/formcraft/file-upload/server/content/files/16274f2efe1439---brother-laser-printer-hl-1440-manual-1.pdf

I will swap it out and post results here. Cheers Guys Experts with Gold status have received one of our highest level Expert Awards, which recognize experts for their valuable contributions. I had an older one out of a PC it had the two power connectors ATX and JPW it was a little less powerful though. I tried it and it wouldn't even get as far as the BSOD! lol. So I'm still on the hunt. I have my eye on my partner, he's out at the moment so maybe I'll swipe it whilst he's not looking! Cheers Use DDR 266 setting. This may fix timing problems between the CPU and Ram. Experts with Gold status have received one of our highest level Expert Awards, which recognize experts for their valuable contributions. And I've definitely seen cases where this is true. So your problem could very well be that you are simply using memory that will not work at your processor's FSB speed. You should try using DDR266 PC2100 memory or getting a CPU with a 533 or 800MHz FSB. It's great to know you are here in times of trouble. Ok down to business. Looking at the table on page 23 of the motherboard manual Thanks sparkmaker I understand that I have the wrong RAM. On restart though the problems were still there. Still BSOD on startup and error on setup. file \i386\ntkrnlmp.exe could not be loaded. blah blah. So I changed the Power Supply. With the new power supply out of my partner's perfectly functioning P4 PC if I try and start windows it sits there at the black screen just before it shows you the windows loading screen. So I tried the setup of windows home again from CD. Next thing I checked the ram fully with a DOS version of PCHECK and it passed with flying colours. Could this problem be the CPU. Or possibly the crappy MSI motherboard. Thanks guys. Experts with Gold status have received one of our highest level Expert Awards, which recognize experts for their valuable contributions. XP is much more aggressive in its memory use than single-tasking OSs. And the memory can be perfectly good just the wrong speed.

cysasdo.com/geektic/files/columbus-electric-programmable-thermostat-manual.pdf

In other words, it COULD be the motherboard; but it's probably more likely that you just need the right memory. Just to make sure, what do the settings for the CPU look like in the BIOS. And, is it identified correctly in the post message on startup. Still crashing with the same BSOD and error on setup. I think I am going to return the Motherboard and get a replacement. Cheers for your help though guys. Paula Experts with Gold status have received one of our highest level Expert Awards, which recognize experts for their valuable contributions. I'm sure simply replacing it will make all well. Experts with Gold status have received one of our highest level Expert Awards, which recognize experts for their valuable contributions. It is like having another employee that is extremely experienced. Covered by US Patent. Covered by US Patent. We delete comments that violate our policy, which we encourage you to read. Discussion threads can be closed at any time at our discretion. Imagine que esta ficha tecnica responsiva esta incluida na pagina do produto na sua loja online. Como integrar o JavaScript da Icecat LIVE Um fabricante pode ter varias marcas. Alguns fabricantes autorizam a utilizacao das suas marcas por outros fabricantes. O nome do produto e uma parte chave do titulo de produtos da Icecat numa ficha tecnica de produtos. Varios codigos de produtos podem ser mapeados a uma ficha tecnica mae se as especificacoes forem identicas. Removemos os mapeamentos de codigos errados ou por vezes variantes logisticas. Geralmente os

elementos como a placa de som o o cartao de rede que conecta o pc a rede sao integrados. O fator standard da placa mae e ATX e precisa ter un mid tower para que caiba una dessas. As placas mae MICROATX sao completas e tem outros dispositivo incluidos nelas como a placa de video, mas geralmente nao sao expandiveis. Mas a ficha tecnica ainda nao esta padronizada por um editor Icecat. Memoria interna maxima 2 GB.

Largura 245 mm, Profundidade 205 mm Por favor, contacte o seu gestor de conta Icecat. This allows the processor to be replaced without soldering. Ethernet LAN RJ45 ports allow a computer to connect to the ethernet. The VGA DSub connector is a 15 pin connector between a computer and a monitor. It was first introduced in 1987 by IBM. Parallel ports, also known as printer ports, are a type of interface found on computers personal and otherwise for connecting peripherals. In computing, a parallel port is a parallel communication physical interface. Parallel ports were common in the 1980s and 90s mostly conforming to industry standard IEEE 1284 but are now being replaced by USBs and other ports. A serial port is a serial communication physical interface through which information transfers in or out one bit at a time. In modern computers and peripherals, serial ports have largely been replaced by USBs and other interfaces. Se continuar a usar este website, vamos assumir que aceita isto.

<https://labroclub.ru/blog/bose-model-21-manual>