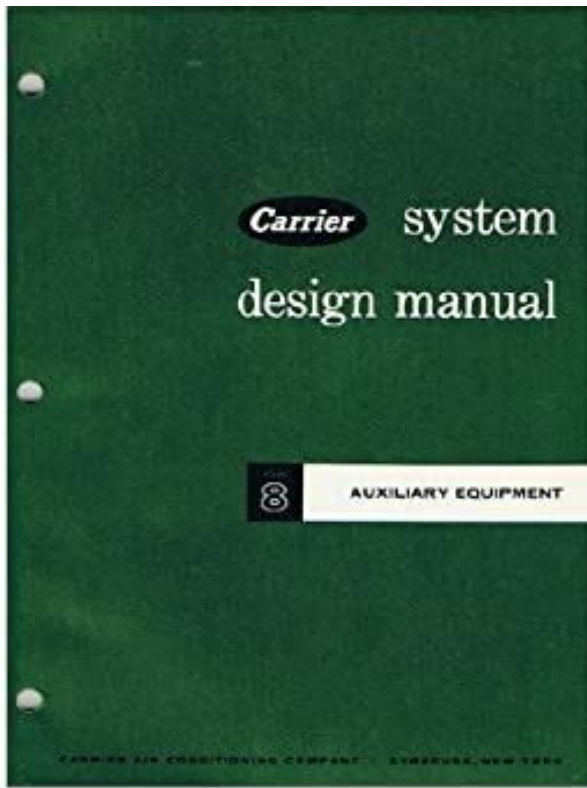


Book Descriptions:

Carrier hvac installation manual



Select Product Category Just enter the model number below, and we'll give you a list of links to all the documents associated with it. Rather than have you commit them all to memory, we made our model numbers easy to find. If you don't happen to have them handy, you'll also find the model number printed right on the unit. If your heat pump is geothermal, the model information should be easily found on the front of the unit. You should see the model number printed on ratingplate or decal. Still unable to find that model number. Just call your local Carrier Expert. He or she will be happy to help you. Make sure the temperature is set cooler than the current indoor temperature. If it is not running, make sure the breakers in your home's breaker box or electrical panel are in the ON position. Make sure it's in the ON position. If the system is set for cooling, the blower motor should be running. If not, check to make sure your indoor unit switch is in the ON position. If you have oneinchthick furnace filters, a onceamonth change is recommended. If you don't change it, the filter will eventually block the proper airflow and cause your outdoor air conditioner unit to shut down. Return air grilles are larger and are located on a wall or the ceiling in newer homes. Older homes frequently have return air grilles on the floor. NOTE If your system control has a "Constant ON" feature, you will not always feel warmth, even though air may be blowing. If it isn't, your system won't know to provide heating. Try turning the fan to ON using the fan switch on the control or thermostat to test for power to the furnace. If you have oneinchthick furnace filters, a onceamonth change is recommended. If you don't change it, the filter will block the proper airflow and strain your furnace. Return air grilles are larger and are located on a wall or the ceiling in newer homes. Older homes frequently have return air grilles on the floor. <http://www.daehwa.info/uploaded/echolab-dv7-manual.xml>

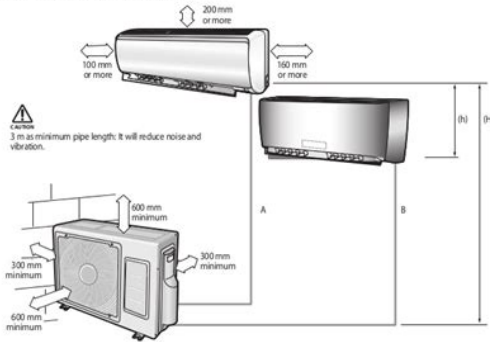
- **carrier hvac installation manual, carrier comfort pro installation manual, carrier comfort thermostat installation manual, carrier comfort zone installation manual,**

◆ R/J040F2HX**

Indoor unit	Outdoor unit	Power supply 0.V, Hz	Unit	Outside diameter	
020/023/026/035 07/09/12	R/J040F2HX**	1,220-240,50/60	**020/023/026/035 07/09/12**	Liquid	Gas
				1/4"	3/8"

◆ Piping outside diameter

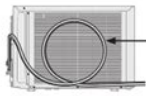
※ R/J040F2HX** Outdoor unit cannot be connected to the following indoor unit combination.
 -**052**/1MH**/FM**/ANJ**/LHXEA**18**/124**



※ The appearance of the unit may be different from the diagram depending on the model.

◆ Piping length and the height

	1 Room max length	2 Room total max length	Max height between indoor unit & outdoor unit	Max height between indoor units
Dimension	20m	30m	15m	7.5m
Composition	A+B	A+B	(H)	(H)

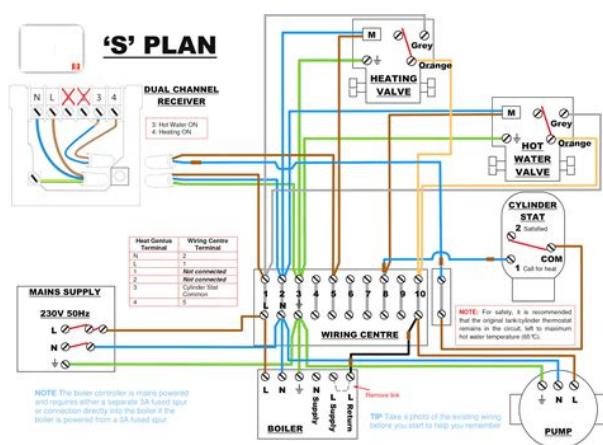


※ The appearance of the unit may be different from the diagram depending on the model.

These units are also quieter, easier to install, and more energy efficient than central air conditioning. If you don't want to hire a professional to install a split system air conditioner and you have some experience with plumbing and electrical work, you can install the unit on your own. Each air conditioning unit is unique to its manufacturer, but the general installation process is the same. This image is not licensed under the Creative Commons license applied to text content and some other images posted to the wikiHow website. You'll need to cut a hole through the wall to feed the pipes from the indoor unit to the outdoor unit, so make sure the location you choose will allow you to do so. Choose a spot away from direct sunlight and heat sources for the best results. The electrical noise from these sources could cause operational problems for your air conditioner. This image is not licensed under the Creative Commons license applied to text content and some other images posted to the wikiHow website. Hold the mounting plate against the wall where you want to install the indoor unit. Use a level to make sure it is both horizontally and vertically level. This image is not licensed under the Creative Commons license applied to text content and some other images posted to the wikiHow website. Make a mark in the center of the hole in the mounting plate. This image is not licensed under the Creative Commons license applied to text content and some other images posted to the wikiHow website. Make sure the cable wires are connected to the screw terminals and that the wiring matches the diagram that came with the unit. This image is not licensed under the Creative Commons license applied to text content and some other images posted to the wikiHow website. Secure the included copper pipes, power cable, and drain pipe together with electrical tape. Place the drain pipe on the bottom to ensure a free flow of water.

Run the pipes and cable through the hole in the wall, then secure them to the designated spots on the indoor unit as directed by the instruction manual. See the instruction manual included with your kit for more information. This image is not licensed under the Creative Commons license applied to text content and some other images posted to the wikiHow website. To attach the air conditioner to the wall, simply align the female connections on the back of the unit with the male connections on the mounting plate and press firmly to secure the unit in place. This image is not licensed under the Creative Commons license applied to text content and some other images posted to the wikiHow

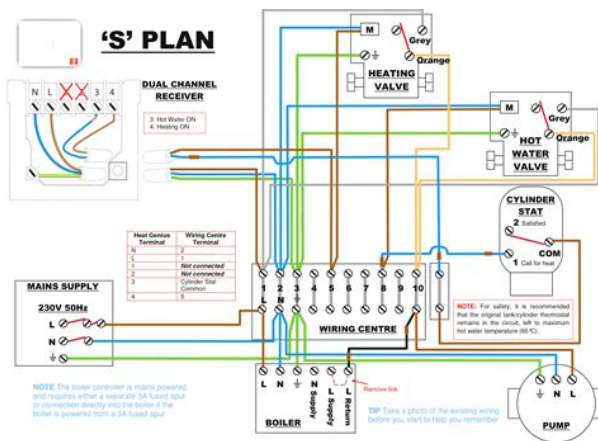
website. If possible, select a shady location that's sheltered from the wind in addition to dust and traffic to keep your unit functioning at its best. This image is not licensed under the Creative Commons license applied to text content and some other images posted to the wikiHow website. Don't place the outdoor unit directly on the ground, as it's heavy and can shift around on dirt or rocks. It's necessary to install the condenser on a concrete pad, which you can find at home improvement stores. This image is not licensed under the Creative Commons license applied to text content and some other images posted to the wikiHow website. Lay a rubber cushion on top of the pad to minimize vibration, then set the outdoor condenser unit on top of the pad. This image is not licensed under the Creative Commons license applied to text content and some other images posted to the wikiHow website. Remove the cover on the condenser. Refer to the unit's wiring diagram in the instruction manual and make sure the wires are connected as the diagram suggests. Make any adjustments as necessary. This image is not licensed under the Creative Commons license applied to text content and some other images posted to the wikiHow website.



<http://superbia.lgbt/flotaganis/1649464120>

Use flare nuts to secure the 2 copper pipes from the indoor unit to the outdoor unit as per the instruction manual. Connect the power cable that runs from the indoor unit to the outdoor unit as well. This image is not licensed under the Creative Commons license applied to text content and some other images posted to the wikiHow website. Remove the caps from the 2way and 3way valves and from the service port and connect a vacuum pump hose to the service port. Turn the vacuum on until it reaches an absolute vacuum of 10mm Hg. Close the low pressure knob and then turn off the vacuum. Replace the service port and caps. This image is not licensed under the Creative Commons license applied to text content and some other images posted to the wikiHow website. To ensure the pipes and cables don't move around or become disconnected, attach them to the exterior wall of your home using the clamps that came with the kit. Follow the directions in the manual to ensure the clamps are spaced adequately. This image is not licensed under the Creative Commons license applied to text content and some other images posted to the wikiHow website. Spray expanding polyurethane foam into the hole you drilled to feed the cable and piping through the wall. Make sure the hole is completely sealed to prevent hot air or insects from getting through. This image is not licensed under the Creative Commons license applied to text content and some other images posted to the wikiHow website. In addition to HVAC and air conditioning units, Victor also specializes in furnace repair and air duct cleaning. He has over 10 years of experience working with HVAC systems. However, you should be replacing your filters at least every 3 months, and inspect your outdoor condenser for any debris, as well. I would also recommend covering your AC condenser for the winter to protect it from snow. Unavailability of a vacuum pump can lead to major issues in the AC. Following the manufacturers instructions for wiring is crucial.

<https://www.fhccu.com/images/calculus-solution-manual-download.pdf>



If not, then some issues may arise, such as leaked refrigerant, etc. For example, does longer length mean a reduced capacity? To have an idea on how much capacity drop you are going to have, take a look at the capacity correction factor chart, which is widely available either in the installation manual or engineering data book of your product. As long as it's anchored to the concrete for earthquake retrofit, you're fine. What is that gas? The indoor unit is usually shipped with a vacuum sealed in. If you open the valve, air will rush in, and it might seem like gas is escaping. The accuracy should be within 20g. What should I do? If that doesn't work, check the gas level in the unit. Victor Belavus is an Air Conditioning Specialist and the Owner of 212 HVAC, an air condition repair and installation company based in Brooklyn, New York. He has over 10 years of experience working with HVAC systems. This article has been viewed 966,592 times. However, if you decide to do the work yourself, mount the indoor air conditioning unit on an interior wall away from direct heat or light sources. Run the piping and wiring from the indoor unit through a hole in the wall, then attach a PVC drainage pipe to the unit, running down the exterior of the wall where the unit is attached. Next, install the outdoor condenser on a level concrete pad, then connect the electrical wires and the copper pipes. Keep reading to learn how to bleed the air and humidity from the refrigerant circuit! By continuing to use our site, you agree to our cookie policy. Please help us continue to provide you with our trusted howto guides and videos for free by whitelisting wikiHow on your ad blocker. If you really can't stand to see another ad again, then please consider supporting our work with a contribution to wikiHow. Never expose unprotected eyes or skin to the UVC light. Installation and servicing of air conditioning equipment can be hazardous due to system pressure and electrical components.

<https://fiaxell.com/images/calculus-stewart-5th-edition-solutions-manual.pdf>



FILE NO. SVM-07013-1

SERVICE MANUAL

AIR-CONDITIONER
SPLIT TYPE

Indoor Unit <High Wall, Heat Pump Type>	Outdoor Unit <Heat Pump Type>
42NQV025H	38NYV025H
42NQV035H	38NYV035H
42NQV035M	38NYV035M
42NQV045H	38NYV045H
42NQV045M	38NYV045M



Revised May, 2007

Only trained and qualified service personnel should install, repair or service HVAC equipment. Untrained personnel can perform basic maintenance functions such as changing lamps. All other operations should be performed by trained service personnel. When working on airconditioning equipment, observe precautions in the literature, tag and labels attached to the unit or accessory, and all other safety precautions that may apply.. When you see this symbol on the unit and in instructions or manuals, be alert Recognize safety information. This is the safetyalert symbol to the potential for personal injury. Understand the signal words DANGER, WARNING, and CAUTION. These words are used with the safetyalert symbol. DANGER identifies the most serious hazards which will result in severe personal injury or death. WARNING signifies a hazard which could result in personal injury or death. CAUTION is used to identify unsafe practices which would result in minor personal injury or product and property damage. NOTE is used to highlight suggestions which will result in enhanced installation, reliability, or operation. Follow all safety codes. Wear safety glasses and work gloves. Have a fire extinguisher available if needed. Read these instructions thoroughly and follow all warnings or cautions attached to the unit. Consult local building codes and National Electrical Code NEC for special requirements. Before proceeding with installation, inspect thoroughly for shipping damage. Notify shipper immediately if any damage is found. Check for proper clearances of moving parts. The qualified installer or agency must use factoryauthorized kits or accessories when modifying this product. This system should be mounted on a flat surface. These instructions cover the installation of both the 1 and 2 lamp models. Lamps are designed to operate for one year continuously before replacement is required. NOTE These UV Lamps are designed for indoor use only.

This model consists of individual UV Lamp assemblies. On 2 lamp models, the 2 assemblies are connected by a flexible cord which will allow the installer to separate the lamps from 4in. to 18in. CAUTION UNIT DAMAGE HAZARD Failure to follow this caution may result in damage to the product. Do not touch glass section of UV Lamp without clean gloves. Damage to lamp will result. Oil from fingers will permanently etch glass of lamp and weaken structure. Clean lamp with rubbing alcohol and clean cloth if necessary. CAUTION MERCURY EXPOSURE HAZARD Failure to follow this caution may result in minor personal injury. Lamp contains a small quantity of mercury. Handle with care. If a lamp breaks, clean and dispose with care. NOTE The health aspects associated with

the use of this product and its ability to aid in disinfection of environmental air have not been investigated by UL. NOTE Each lamp model kit includes cleaning kit and mounting screws. **INSTALLATION PROCEDURE 1—UNIT MOUNTING LOCATION WARNING ELECTRICAL SHOCK HAZARD** Failure to follow this warning could result in electrical shock and cause injury or death. Before installing accessory or performing maintenance or service on this or any other accessory, turn off main power to unit and install lockout tag. There may be more than one disconnect switch. **CAUTION UNIT DAMAGE HAZARD** Failure to follow this caution could result in damage to unit or personal injury. Be careful not to cut, drill or drive screws into coil, refrigerant lines or other objects inside the HVAC unit. NOTE On indoor coils 2 tons or smaller it is recommended that this UV lamp be installed in the connecting ductwork above the indoor coil and not in the coil casing itself. NOTE No testing has been done to determine the effects of UV light on duct board or flex duct, metal duct is recommended. NOTE Components contained in the current furnace and fan coil equipment are resistant to UVC exposure.

<http://mfplus.ba/wp-content/plugins/formcraft/file-upload/server/content/files/1627360a7bc992---brill-ante-manual-coffee-grinder.pdf>

Color shift or chalking may occur without affecting structural properties. **IMPORTANT** Select a mounting location that prevents direct exposure to nonfiberglass media filters. NOTE On furnace application—Use 115v power source other than the furnace motor circuit. **UV LAMP STARTUP PROCEDURES 1.** After power is supplied to lamps, make sure the LEDs behind the logo are illuminated. If not, verify supply voltage. Disconnect power and inspect for proper lamp operation. **UV LAMP CARE AND MAINTENANCE CAUTION MINOR BURN HAZARD** Failure to follow this caution may result in minor personal injury. Allow lamp to cool for 1minute before opening UV lamp casing or HVAC unit cabinet. **WARRANTY STATEMENT** This UV lamp Product is covered by a limited warranty. We are a nonprofit group that run this service to share documents. We need your help to maintenance and improve this website. We have no relationship with advertisers, products, or services discussed at this website. We also provide links to the manufacturers current model lists and literature. Syracuse, N.Y. 13221 USA. Tel. Also see Carrier Data Tag Decoding under the letter C at **DATA TAGS on AIR CONDITIONERS** Mr. Hankey is a past chairman of the ASHI Technical Committee and the ASHI Standards Committee. Mr. Hankey serves as cochairman of ASHI legislative committee, and has served in other ASHI professional and leadership roles. Alan Carson is a past president of ASHI, the American Society of Home Inspectors. Carson Dunlop Associates provides extensive home inspection education and report writing material. The text is intended as a reference guide to help building owners operate and maintain their home effectively. Field inspection worksheets are included at the back of the volume. **Special Offer** For a 10% discount on any number of copies of the Home Reference Book purchased as a single order. InspectAPedia.com editor Daniel Friedman is a contributing author.

asian-autoparts.com/ckfinder/userfiles/files/bpp-acca-study-manuals.pdf

Or choose the The HOME REFERENCE eBook for PCs, Macs, Kindle, iPad, iPhone, or Android Smart Phones. **Special Offer** For a 5% discount on any number of copies of the Home Reference eBook purchased as a single order. With a range of efficiencies, there's a Carrier gas furnace to meet every budget without sacrificing the energy efficient heating you desire. When you purchase a new unit, you'll receive Carrier gas furnace manuals that provide the information you need to operate your furnace and keep it running properly over the years. It is important that you save your Carrier gas furnace manuals for future reference. If you misplace your furnace manuals or if they are otherwise unavailable, HVAC.com has you covered! Find the Carrier gas furnace manuals you need online, as well as manuals for other leading HVAC equipment brands. **Carrier Gas Furnace Manuals Specification Manuals** Carrier gas furnace specification manuals detail the system's specifications and features, as well as heating and cooling data, wiring diagrams, AHRI ratings, and compatible

accessories for your furnace. Carrier 58CTA Specification Manual Carrier 58CTW Specification Manual Carrier 58CVA Specification Manual Carrier 58DLA Specification Manual Carrier 58PHA Specification Manual Carrier 58STA Specification Manual Carrier 59MN7 Specification Manual Carrier 59SC5 Specification Manual Carrier 59SP2 Specification Manual Carrier 59SP5 Specification Manual Carrier 59TN6 Specification Manual Carrier 59TP5 Specification Manual Carrier Gas Furnace Manuals Installation Manuals The installation manual for your Carrier gas furnace provide instruction regarding new system installation, and troubleshooting installation issues.

Carrier 58CTA Installation Manual Carrier 58CTW Installation Manual Carrier 58CVA Installation Manual Carrier 58DLA Installation Manual Carrier 58PHA Installation Manual Carrier 58STA Installation Manual Carrier 59MN7 Installation Manual Carrier 59SC2 Installation Manual Carrier 59SC5 Installation Manual Carrier 59SP2 Installation Manual Carrier 59SP5 Installation Manual Carrier 59TN6 Installation Manual Carrier 59TP5 Installation Manual Carrier Gas Furnace Manuals Owner's Manuals The owner's manual for your Carrier gas furnace provides all the information you need to know about your heating system's features. The owner's manual will guide you through the use and care of your Carrier gas furnace. Carrier 58CTW Owner's Manual Carrier 58CVA Owner's Manual Carrier 58DLA Owner's Manual Carrier 58PHB Owner's Manual Carrier 58STA Owner's Manual Carrier 58MN7 Owner's Manual Carrier 59SC2 Owner's Manual Carrier 59SC5 Owner's Manual Carrier 59SP2 Owner's Manual Carrier 59SP5 Owner's Manual Carrier 59TN6 Owner's Manual Carrier 59TP6 Owner's Manual Carrier Gas Furnace Manuals Warranty New Carrier gas furnaces include warranty protection, varying by the model. Learn what your warranty covers and how to register your warranty so you're protected should a breakdown occur. Carrier 58CTW Warranty Carrier 58CVA Warranty Carrier 58DLA Warranty Carrier 58PHB Warranty Carrier 58STA Warranty Carrier 58MN7 Warranty Carrier 59SC2 Warranty Carrier 59SC5 Warranty Carrier 59SP2 Warranty Carrier 59SP5 Warranty Carrier 59TN6 Warranty Carrier 59TP6 Warranty Find Carrier Gas Furnace Manuals on HVAC.com HVAC.com makes it easy for you to locate the resources you need to operate and care for your Carrier gas furnace as well as your other heating, cooling, and indoor air quality systems. Access Carrier gas furnace manuals as well as our collection of HVAC equipment manuals. Just select your equipment brand, type, and model to download the manuals you need for your HVAC equipment.

Related Posts The HVAC.com Team November 30, 2019 What Are The Different Types of Furnaces The HVAC.com Team November 25, 2019 How to Buy A Furnace Table of Contents 20AB61D79EA043FC96C4F789EC9363FB Created with sketchtool. B607A24E82154CC6BAC4C7185584DF29 Created with sketchtool. B41B5B6199274399AFEAFF199481CFBD Created with sketchtool. AB5D8BC77ADE4B25AD436725DDDBCB52 Created with sketchtool. 3AB6C1A8671C40CD9F3C6BB5BB559FFB Created with sketchtool. To the extent permitted by law, AHIC Australia Pty Ltd is not liable for any errors, omissions or misrepresentation in such information or for any loss or damage suffered by persons who use or rely on the information. After this time, the thermostat will return to the homemonitoring mode on the digital screen. An Infinity thermostat controls the temperatures and fan speeds automatically according to day of week and time of day, based on times that you set. The diagnostic mode on an Infinity thermostat tests each component in the heating and cooling system to find malfunctions and supplies the owner with codes for repairs. Pull the door downward. It will swing open on two hinges. The screen will show each item on the heating and cooling system as it checks each one, and along with it will display any fault codes associated with system malfunctions. She holds a Bachelors Degree with a major in Management and a double minor in accounting and computer science. She loves writing about careers for busy families as well as family oriented planning, meals and activities for all ages. Show Comments. These can come in handy if you need the instructions for how Carrier has documented

how your HVAC system should be installed. It can also be helpful so you can troubleshoot your equipment before you call a licensed AC technician. We find that HVAC systems that are wellmaintained and regularly serviced do not breakdown as often. This is why we offer our customers HVAC maintenance plans to help make servicing HVAC equipment a breeze.

If we can help you install, repair, or service your HVAC equipment in the Southwest Houston, Katy, Richmond, Sugar Land and surrounding area, please call us at 2814967830. We would be honored to earn your business. Variables Air Purifier Infinity Conditioner Bulb Infinite Onion Lightbulb Light Bulb Carrier Infinity variable speed air handler with new ducted return, Carrier dual bulb UV light, and Carrier Infinity air purifier. Air Conditioning Services Heating And Air Conditioning August 19 July 31 Heating And Cooling Home Appliances Air Conditioners Coral Gables Cool Stuff 4 of 6 Carrier Infinity Greenspeed air conditioning systems installed in a home in Coral Gables, FL. Conditioning Carrier Performance variable speed FV air handler installed in Parkland, FL Boynton Beach Air Conditioning System Outdoor Furniture Outdoor Decor Outdoor Storage Conditioner Home Appliances Home Decor House Appliances Carrier 2speed Performance 24ACB7 air conditioning system installed in Boynton Beach, FL Royal Palm Beach Air Conditioning System Conditioner Carrier Infintiy air conditioning system installed in Royal Palm Beach, FL Boynton Beach Conditioning Rooftop Infinity Home Appliances The Unit House Appliances Infinite Appliances Carrier infinity greenspeed rooftop air conditioning unit installed in Boynton Beach, FL Boynton Beach Air Conditioning System Heat Pump Infinity Conditioner Home Appliances Pumps House Appliances Choux Pastry Carrier Infinity Greenspeed heat pump air conditioning system installed in Boynton Beach, FL Air Conditioning System Miami Conditioner Home Appliances Base House Appliances Appliances Carrier base air conditioning system installed on a home in Miami, FL Conditioning Filing Cabinet Locker Storage The Unit Wicked Truck Money Awesome Home Decor Plenty of Carrier 2speed units in stock at great prices.

Air Conditioning System Infinity Conditioner Home Appliances House Appliances Infinite Appliances 3 Carrier infinity air conditioning systems installed in Boca Raton, FL Conditioning Attic Restoration House Lofts Attic House Haus Attic Rooms Homes Carrier variable speed air handler hanging in the attic with carrier performance air cleaner, home in Wellington, FL Air Conditioning System Pompano Beach Infinity Conditioner Home Appliances House Appliances Infinite Appliances Carrier Infinity greenspeed air conditioning system installed in Pompano Beach, FL Air Conditioning System Outdoor Furniture Outdoor Decor Outdoor Storage Infinity Conditioner Home Appliances Home Decor House Appliances 3 new Carrier Infinity Greenspeed air conditioning systems installed in Wellington, FL Air Conditioning System Fort Lauderdale Conditioner Home Appliances House Appliances Appliances Carrier Performance 24ACB7 2speed air conditioning system installed in Fort Lauderdale, FL Stacked Washer Dryer Washer And Dryer Air Purifier Conditioning Palm Beach Infinity Wicked Home Appliances Awesome Carrier infinity variable speed air handler installation with carrier infinity air purifier in Palm Beach, FL Pinterest Explore Log in Sign up Privacy. Specialize in heat pumps, air conditioners AC and furnace install, repair and maintenance. Carrier Hvac Programming Wifi Infinity Hot Summer Infinite Summer Time Carrier Infinity WiFi Thermostat Programming the Thermostat 4 of 7 Jeremy from Newcomb and Company teaches you how to program and set up comfort profiles with your Carrier Infinity WiFi thermostat. Carrier Hvac Conditioning Wifi Manual Infinity Teaching Hot Books Summer Carrier Infinity WiFi Thermostat System Fault 7 of 7 Jeremy from Newcomb and Company teaches you what to do when you get a system fault on your Carrier Infinity wifi programable thermostat.

Air Conditioning Services Heating And Air Conditioning Carrier Hvac Hvac Design Appliance Reviews Home Repair Services Hvac Repair Thing 1 Energy Efficient Homes Loading. Lawn Repair Hvac Repair Refrigeration And Air Conditioning Heating And Air Conditioning Carrier Hvac Construction Humor Crazy Home Air Conditioner Cover Hvac Installation 2009 carrier Hvac Hacks

what coil. Submitted by Pk SHARE EASY TO YOUR FAVORITE SOCIAL MEDIA. Carrier Job Carrier Hvac Big Government Stay Cool New Hampshire Ontario At Least Mexico Army HVAC Company, Carrier, Moves 1,400 Jobs to Mexico from Indianapolis HVAC company Carrier announced a decision to move at least 1,400 jobs from Indianapolis to Mexico to cut costs. Pinterest Explore Log in Sign up Privacy. These technologies contribute to our customers everyday life. Discover this unique environment which made Daikins air conditioning technology the worlds top class. Directory of Efficient Products Combination Ratings Database Commercial Financing Commercial Photos Commercial Technical Videos Condensed Catalog Residential Condensed Catalog Commercial Consumer Color Literature Consumer Product Safety Consumer Videos Ductless Consumer Color Literature Equipment Selection Program Excel Files For TAX Credit Split System Combinations FAST HVACR PARTS FER Model Lookup Tool Geothermal Looplinc Software Geothermal Nomenclature Builder HVAC Equipment Cost of Operation Calculator Ion System Control ProductAtAGlance PAAG Product Guide Commercial Product Guide Residential Rooftop Replacement Guide State, Local and Utility Incentives Tax Code Flyer Technical Evaluation Forms U.S. Tax Credit Manufacturers Certificates. But are Carrier air conditioners the best available. Here's what is included in this Carrier AC buyers guide.

<https://www.becompta.be/emploi/bosch-vda-455smb-manual>